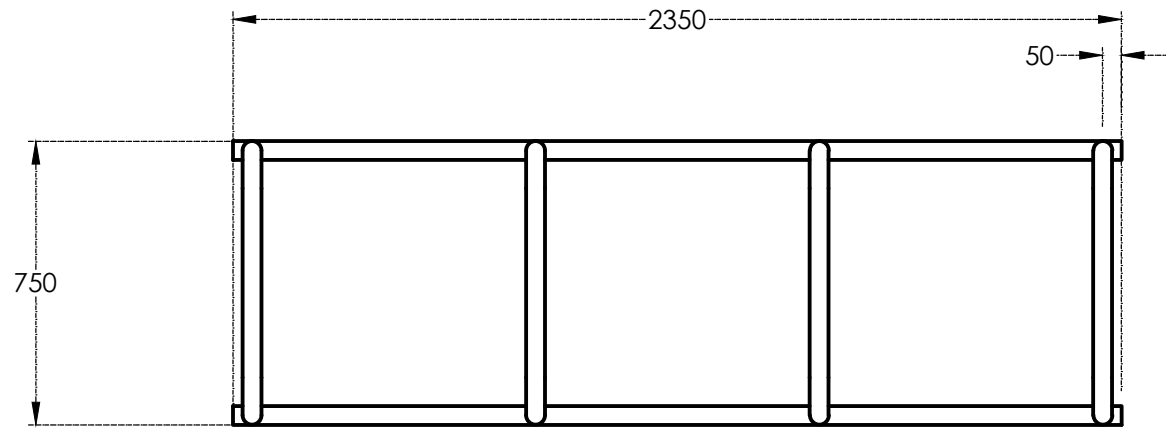
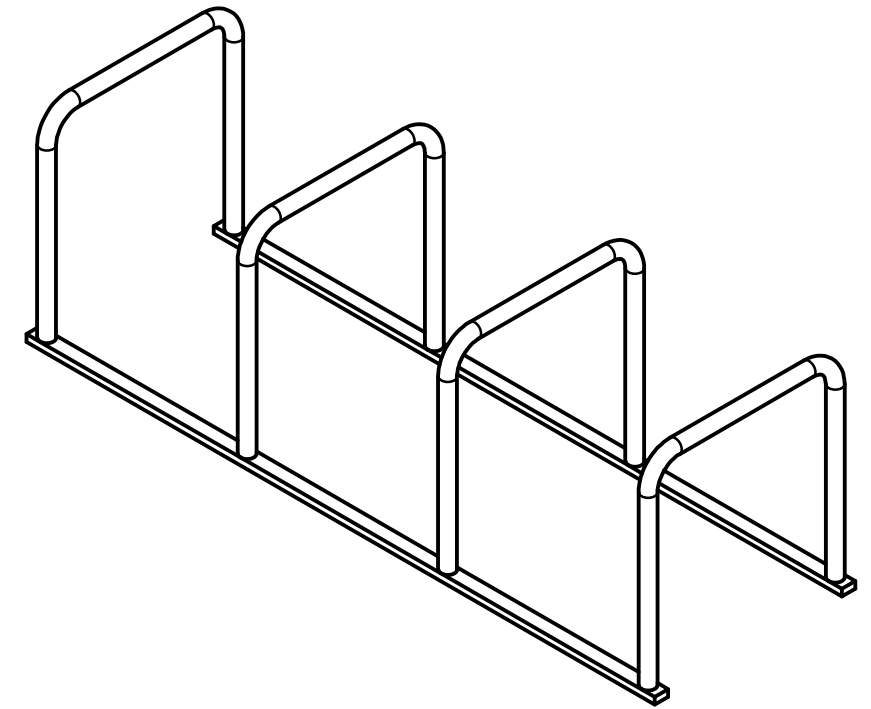


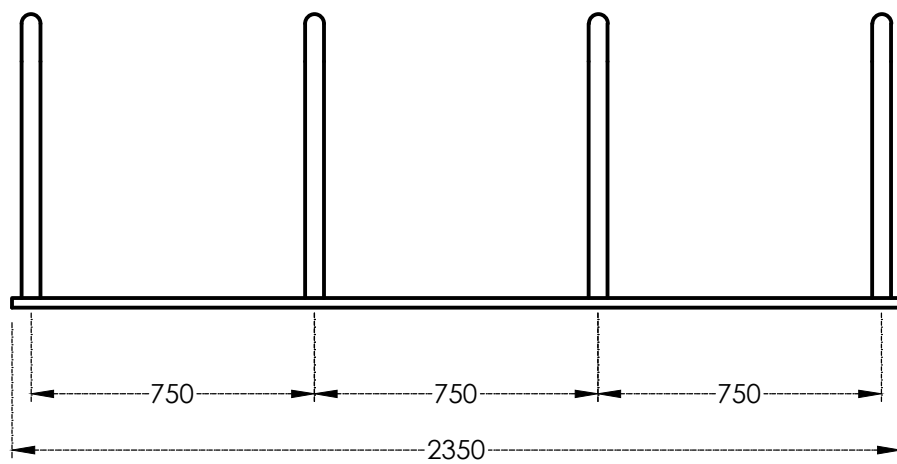
Plan
1:20 @ A3



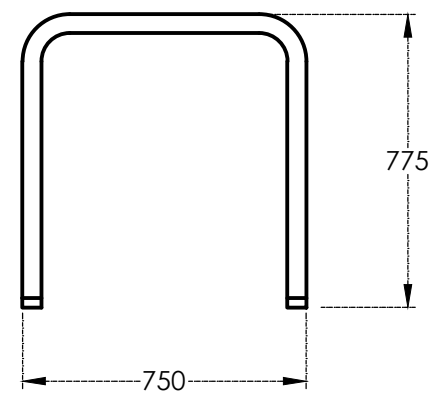
Isometric
N/A @ A3



Front Elevation
1:20 @ A3



Side Elevation
1:20 @ A3



Legend:

Notes:
Finishes:
Revision Notes:



Client: ---
Venue: ---
Date Drawn: 16/09/2019
Draftsperson: S.AGYEMAN
Third Angle Projection

Project: ---
Title: 10 Space Toast Rack
Scale: 1:20 @ ISO A3
DWG No: 1.0
Revision: