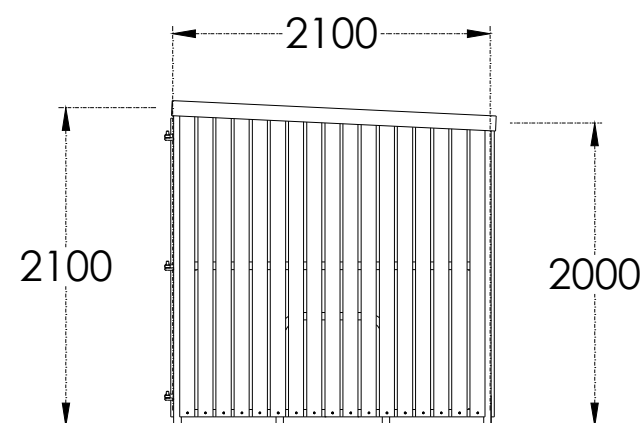
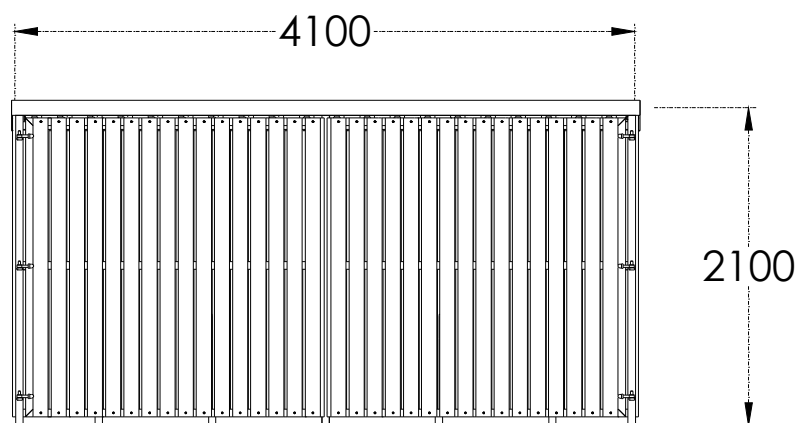
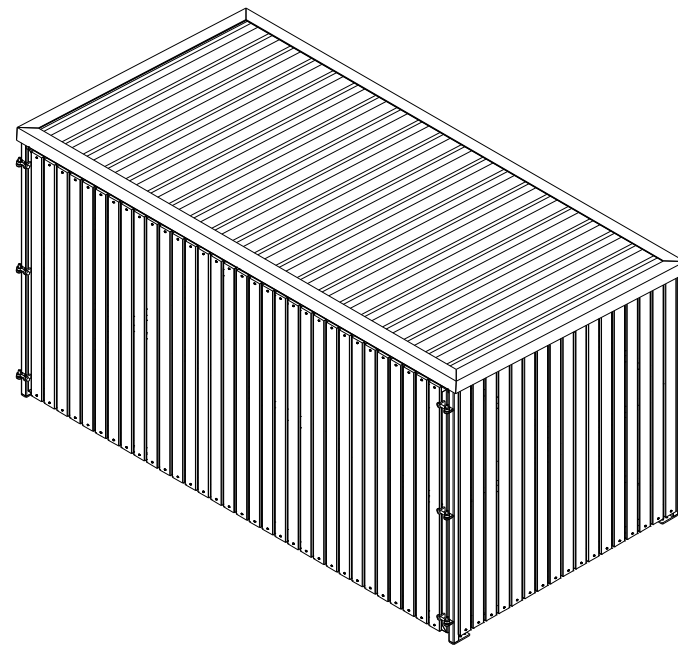
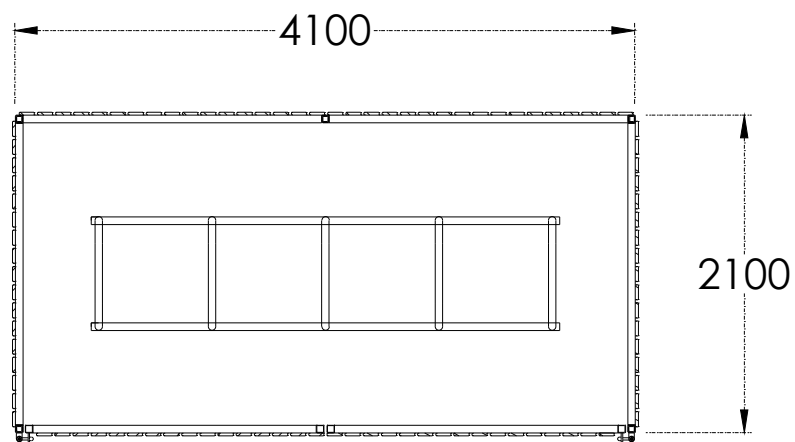


The Bike Storage Company

10 Space Amazon Eco Cycle Shelter

Tel: 0800 246 1723



- Standard dimensions: 4100mm x 2100mm x 2100mm
- Open fronted or gate options (swing or sliding)
- Variety of locking options
- Choice of 9 timber clad finishes
- Modular design, can be extended or amended to suit almost any size
- Underground or overground fix
- Sedum living roof option

Legend:

ALL DIMENSIONS ARE IN MM UNLESS OTHERWISE STATED. IF IN DOUBT PLEASE ASK.
THIS DRAWING IS CONFIDENTIAL AND IS THE PROPERTY OF THE BIKE STORAGE COMPANY. IT MUST NOT BE COPIED OR DISCLOSED TO A THIRD PARTY WITHOUT PERMISSION.
THE BIKE STORAGE COMPANY, MARINA STUDIOS, HARBOUR YARD, LONDON, SW10 0XD



THE
BIKE STORAGE
COMPANY
0800 246 1723

Client: The Bike Storage Company

Status: Information

Date Drawn: 23/03/2023

Draftsperson: W Martin



Third Angle Projection

Project: 10 Space Amazon Eco CAD Model

Title: TBSC_10SpAmazonEco_CAD_01

Scale: 1:50 @ ISO A3

DWG No: 1.0

Revision: 00