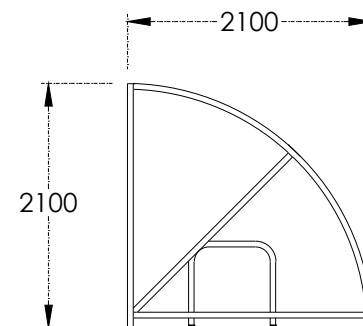
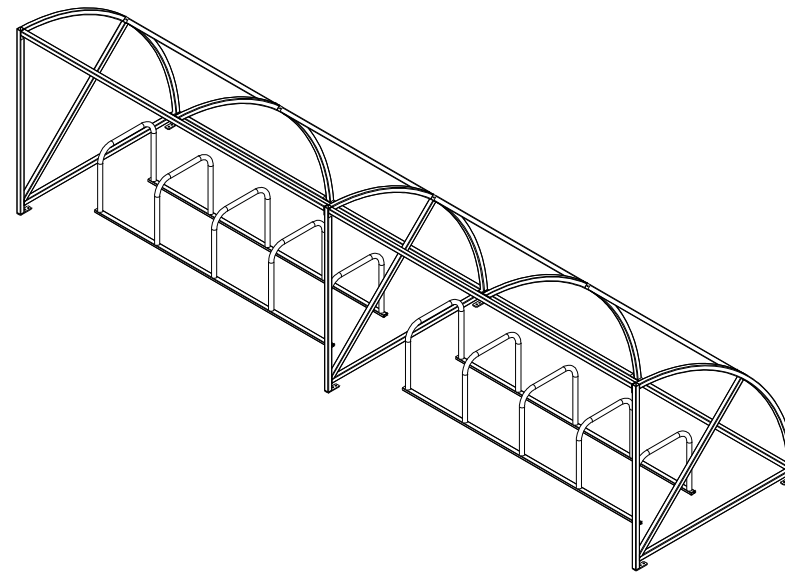
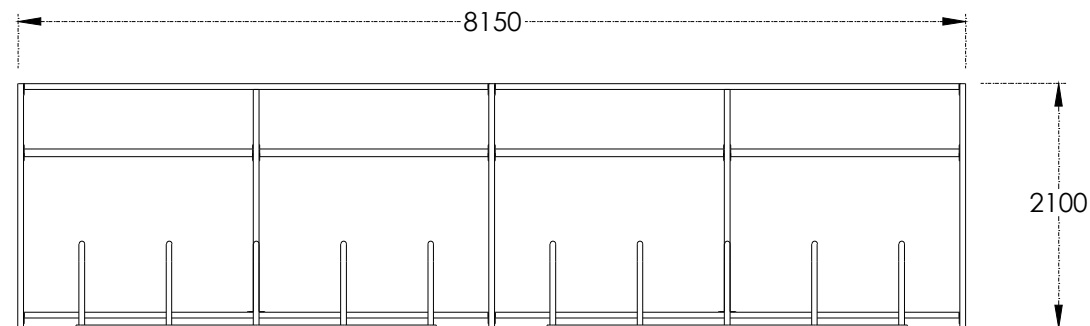
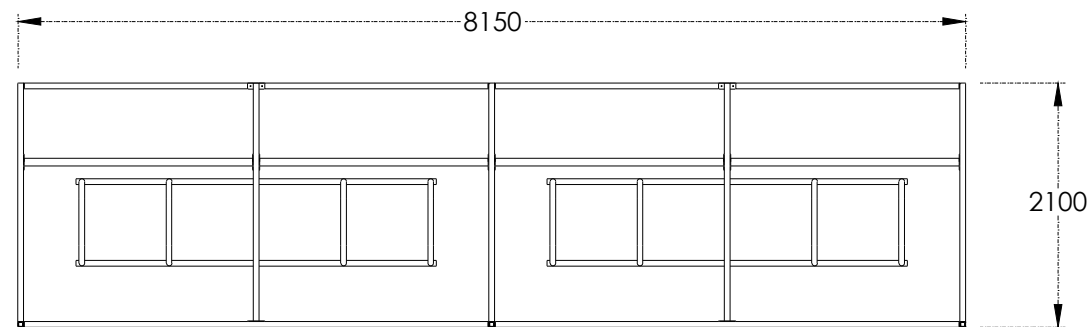


# The Bike Storage Company

## 20 Space Original Cycle Shelter

Tel: 0800 246 1723



- Standard dimensions: 8150mm x 2100mm x 2100mm
- Available in galvanised steel or polyester powdercoated to a RAL colour
- Exterior clad in 3mm Polycarbonate
- Open fronted or gate options (swing or sliding)
- Variety of locking options
- Modular design, can be extended or amended to suit almost any size
- Underground or overground fix

Legend:

ALL DIMENSIONS ARE IN MM UNLESS OTHERWISE STATED. IF IN DOUBT PLEASE ASK.  
THIS DRAWING IS CONFIDENTIAL AND IS THE PROPERTY OF THE BIKE STORAGE COMPANY. IT MUST NOT BE COPIED OR DISCLOSED TO A THIRD PARTY WITHOUT PERMISSION.  
THE BIKE STORAGE COMPANY, MARINA STUDIOS, HARBOUR YARD, LONDON, SW10 0XD



THE  
**BIKE STORAGE**  
COMPANY  
0800 246 1723

Client: The Bike Storage Company

Status: Approval

Date Drawn: 10/11/2023

Draftsperson: W Martin



Third Angle Projection

Project: 20 Space Original Cycle Shelter

Title: TBSC\_20SpOriginal\_DR\_00-1

Scale: 1:65 @ ISO A3

DWG No: 1.0

Revision: 00