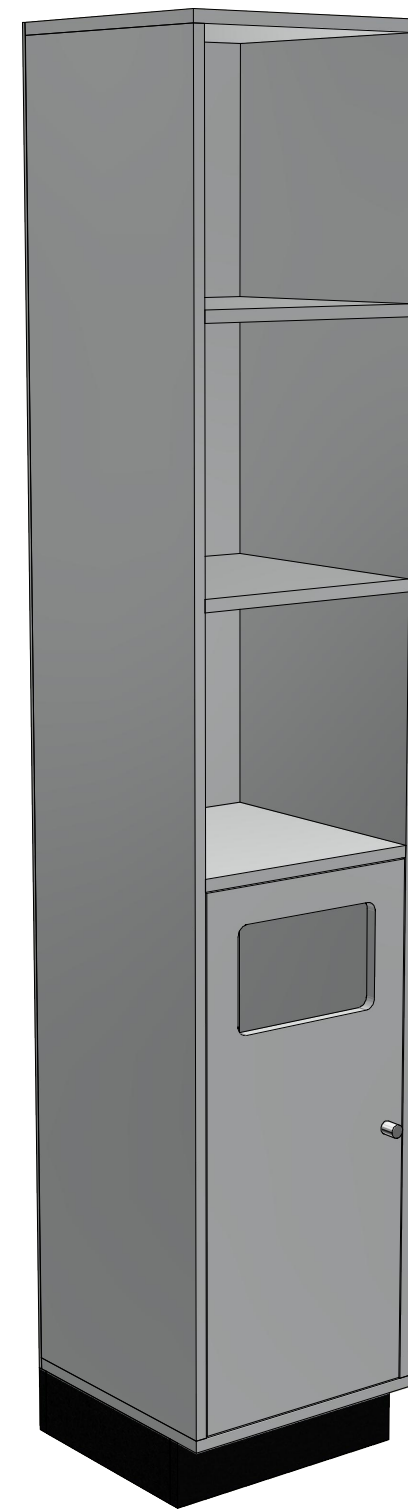
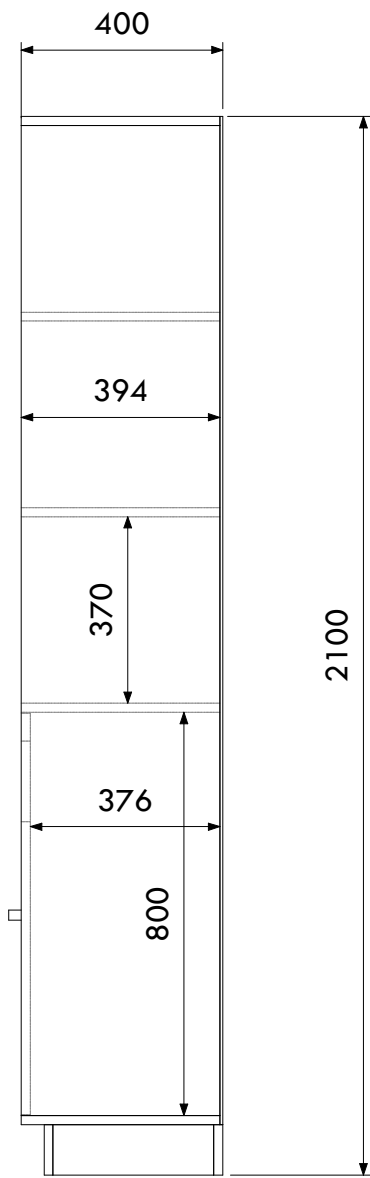
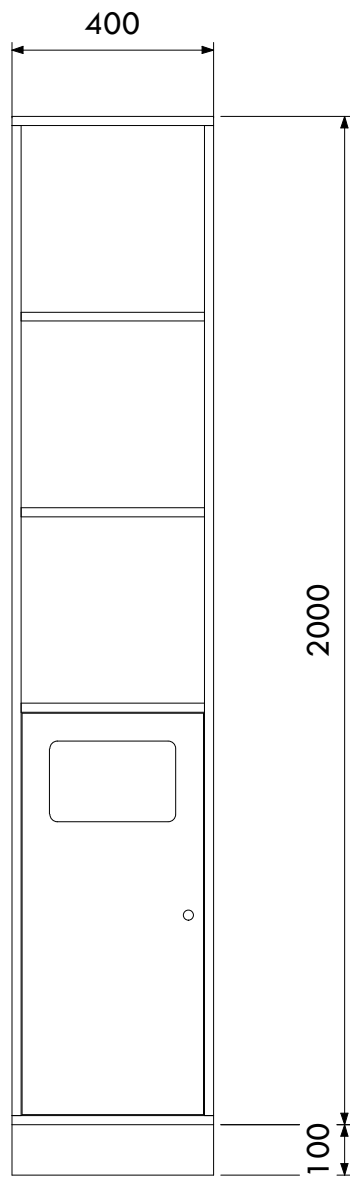
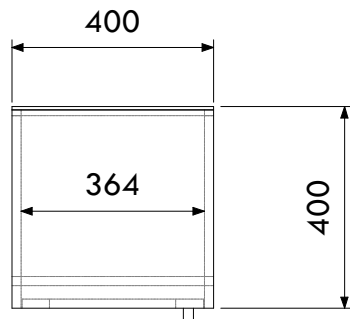


Towel Station



NOTES

TOLERANCES
 • LINEAR TOLERANCES ± 0.25MM
 • ANGULAR TOLERANCES ± 0.5°
 ALL DIMENSIONS IN MM UNLESS STATED

THIS DRAWING IS CONFIDENTIAL AND IS THE PROPERTY OF THE BIKE STORAGE COMPANY
 IT MUST NOT BE COPIED OR DISCLOSED TO A THIRD PARTY WITHOUT PERMISSION.

THE BIKE STORAGE COMPANY, MARINA STUDIOS, HARBOUR YARD, LONDON, SW10 0XD
 HELLO@THEBIKESTORAGECOMPANY.CO.UK



THE BIKE STORAGE COMPANY
 0800 246 1723

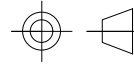
CREATED BY
W Martin

CREATION DATE
19/08/2022

REVISION
00

TITLE
TBSC_Towel_Station_DR_00-1

SCALE
1 : 15

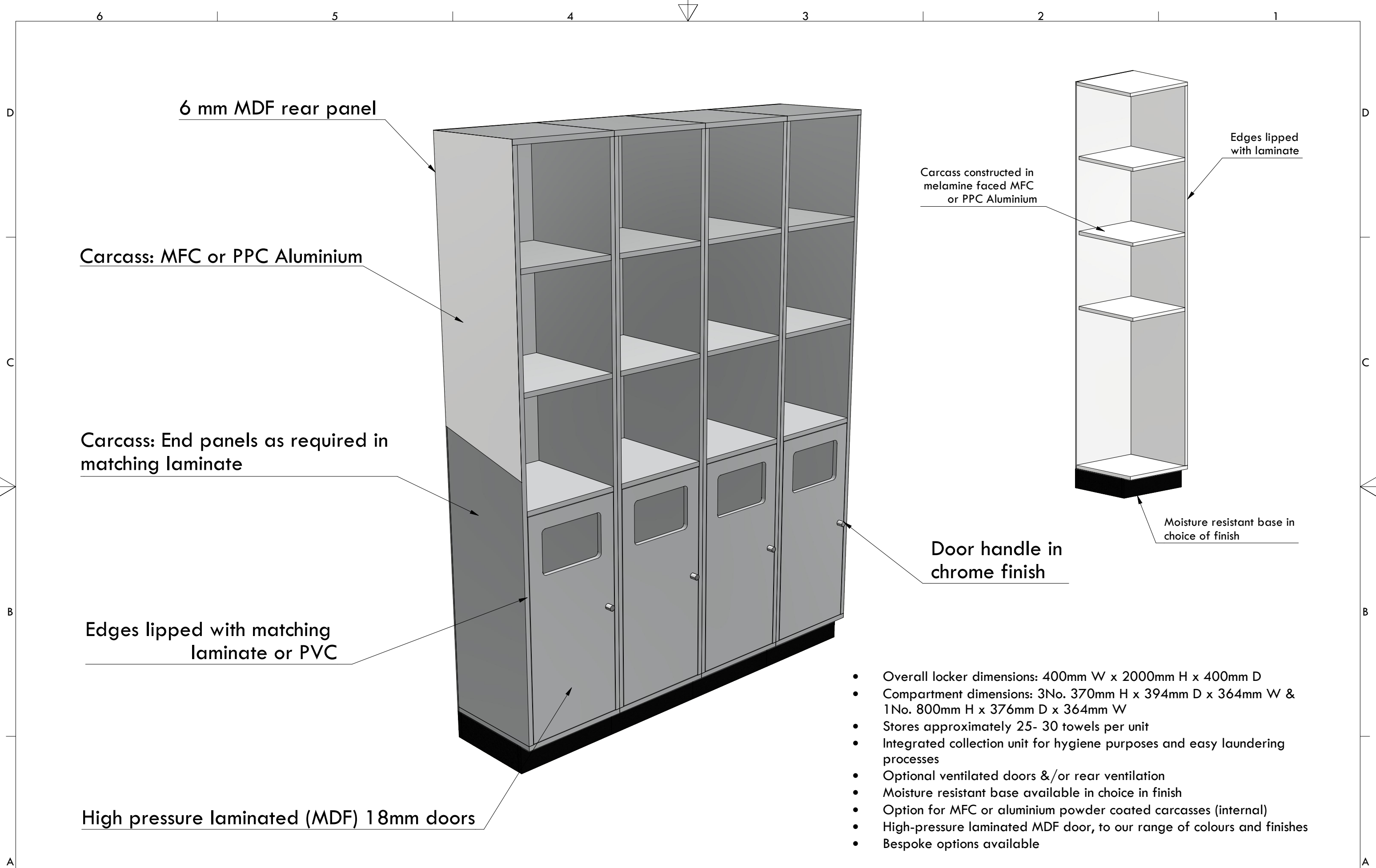


THIRD ANGLE PROJECTION

PROJECT
The Bike Storage Company

STATUS
Information

SHEET
2
SHEET SIZE
A3



NOTES

TOLERANCES
 • LINEAR TOLERANCES ± 0.25MM
 • ANGULAR TOLERANCES ± 0.5°
 ALL DIMENSIONS IN MM UNLESS STATED

THIS DRAWING IS CONFIDENTIAL AND IS THE PROPERTY OF THE BIKE STORAGE COMPANY. IT MUST NOT BE COPIED OR DISCLOSED TO A THIRD PARTY WITHOUT PERMISSION.

THE BIKE STORAGE COMPANY, MARINA STUDIOS, HARBOUR YARD, LONDON, SW10 0XD
 HELLO@THEBIKESTORAGECOMPANY.CO.UK



THE BIKE STORAGE COMPANY
 0800 246 1723

CREATED BY W Martin	CREATION DATE 19/08/2022	REVISION 00
THIRD ANGLE PROJECTION		

TITLE TBSC_Towel_Station_DR_00-2	SCALE 1 : 13
PROJECT	SHEET 2
CLIENT The Bike Storage Company	STATUS Information
	SHEET SIZE A3