

BESPOKE AMAZON CYCLE LOCKER

1. 50 SHS STRUCTURE, GALVANISED & POWDER COATED FINISH.
2. SIDES, GATES AND ROOF CLAD WITH SAPELE HARDWOOD TIMBER BATTENS.
3. OPEN BACK (AGAINST WALL).
4. COMPARTMENT 1: DOUBLE LEAF GATE WITH DROP BOLT, SLAM PAD AND MECHANICAL CODE LOCK.
5. COMPARTMENT 2: DOUBLE LEAF GATE WITH DROP BOLT, SLAM PAD AND MECHANICAL CODE LOCK.
6. COMPARTMENT 3: DOUBLE LEAF GATE WITH DROP BOLT & SLAM PAD. NO LOCK, MAGNETS ON SLAM PAD TO KEEP THE GATES CLOSED.
7. INTERNAL PARTITION IN SAPELE HARDWOOD.
8. GATES AND EXTERNAL SIDE OF COMPARTMENT 1 INLAID WITH 1mm STEEL PLATE, BOLTED TO TIMBERS, PPC FINISH

PROFESSIONAL INSTALLATION SERVICE:

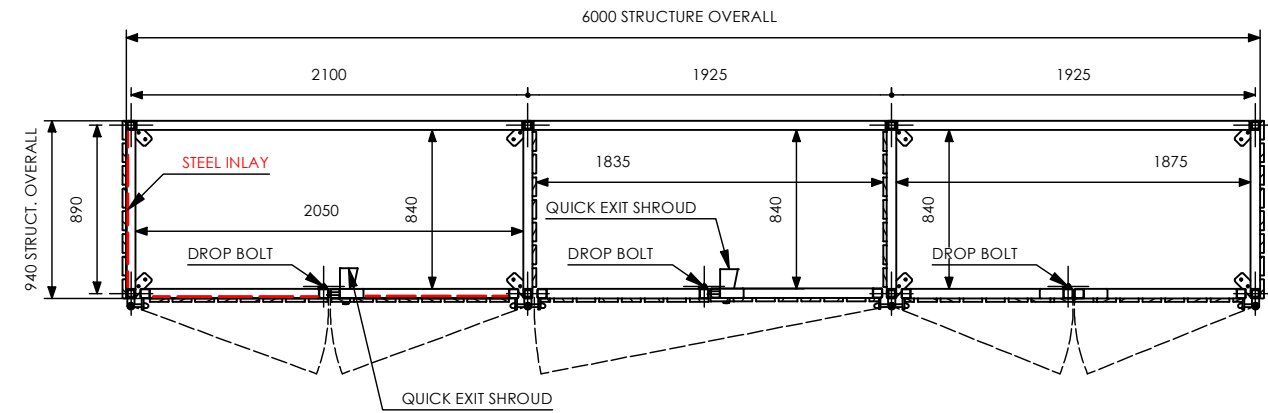
1. GROUND TYPE UNCONFIRMED - BSC WILL ASSUME RC SLAB UNLESS ADVISED OTHERWISE BY CLIENT
2. ASSUMES THE MAXIMUM CHANGE IN HEIGHT OVER ENTIRE LENGTH IS NO GREATER THAN 100MM
3. ASSUMES FORKLIFT OFFLOAD OF MATERIALS BY OTHERS
4. ASSUMES PRESENCE OF SITE ISSUE PALLET TRUCKS TO DISTRIBUTE MATERIALS FROM POINT OF OFFLOAD
5. ASSUMES CLEAR AREAS TO WORK
6. ASSUMES GOOD ACCESS AROUND ALL SIDES OF STRUCTURE
7. ASSUMES AVAILABILITY OF 240V/110V POWER SUPPLY WITHIN 20M OF AREA FOR INSTALLATION
8. ASSUMES ACCEPTANCE OF FULL SIZED ARTICULATED VEHICLE
9. ASSUMES SINGLE HIT DELIVERY AND INSTALLATION
10. ASSUMES MATERIALS CAN BE ACCEPTED 1 DAY PRIOR TO INSTALLATION
11. CAT SCAN IS ASSUMED TO HAVE BEEN CARRIED OUT BY OTHERS AND THE CLIENT SATISFIED THAT THERE ARE NO SERVICES WITHIN 375MM OF FFL
12. ASSUMES ALL WASTE CAN BE DISPOSED OF ON SITE USING SITE SKIPS/WASTE DISPOSAL SYSTEMS
13. PLEASE CONTACT US TO CONFIRM ANY DISCREPANCIES TO THE ABOVE CONDITIONS *

PPC RAL 7015
STRUCTURE & ROOF PLATE
STEEL INLAY

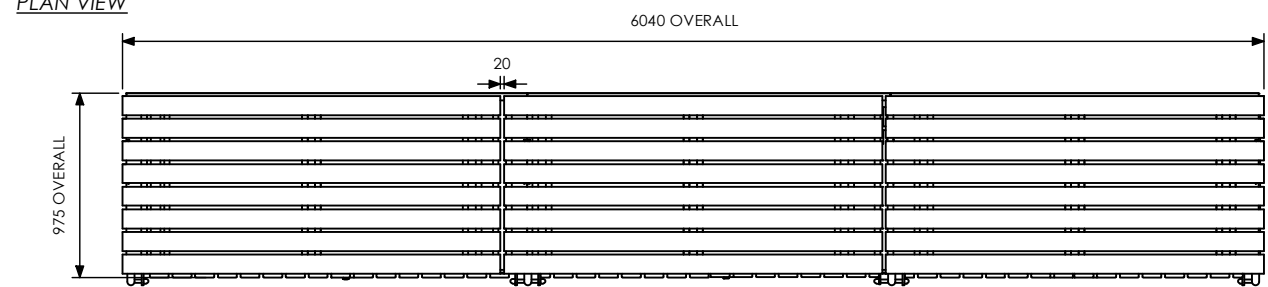
SAPELE
SIDE AND ROOF CLADDING
INTERNAL PARTITIONS



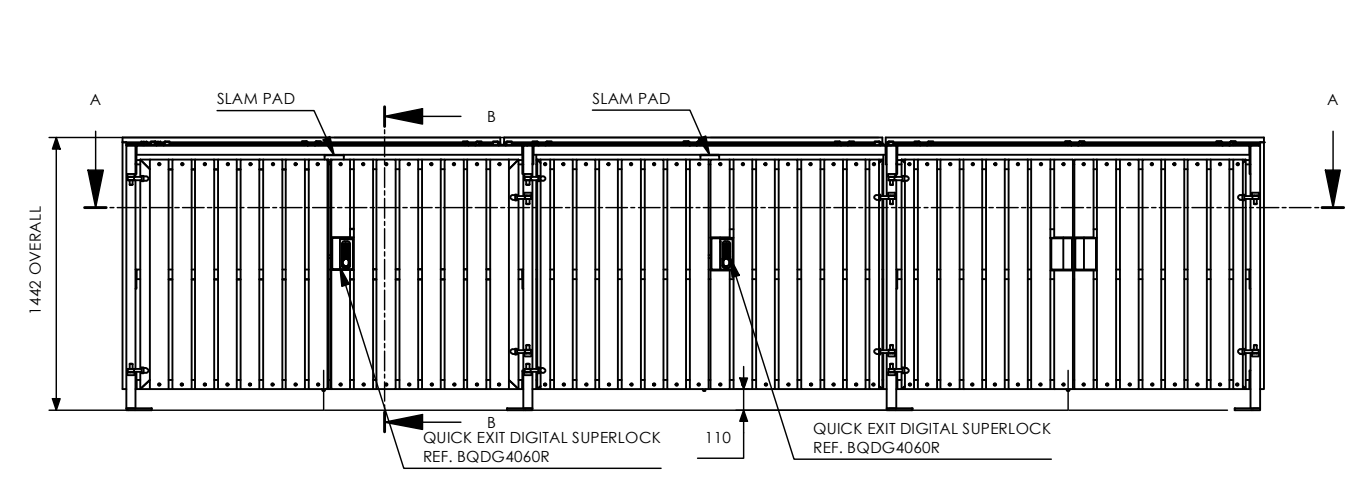
A-A INTERNAL DIMENSIONS



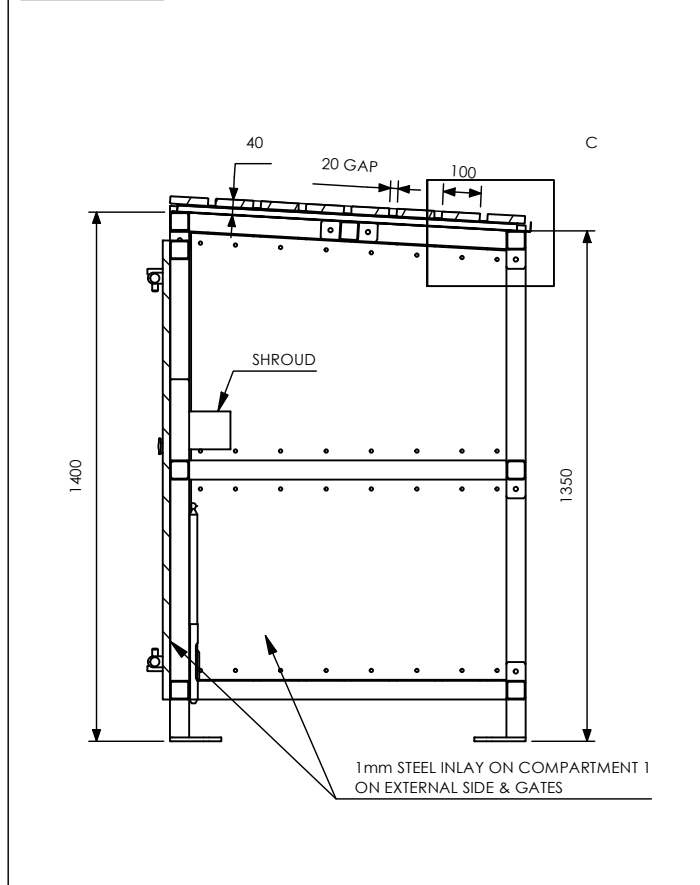
PLAN VIEW



ELEVATION

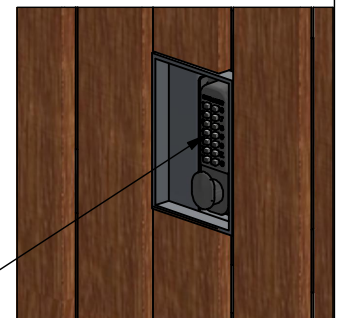


SECTION VIEW



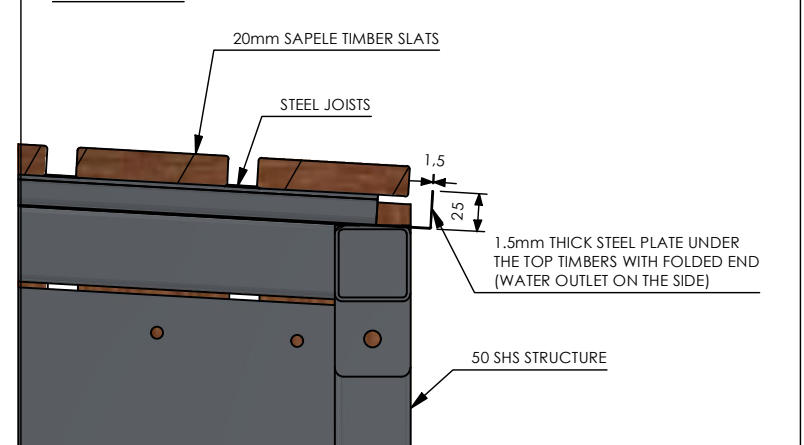
ACCESS CONTROL

- BIKE LOCKER (LEFT), FITTED WITH MECHANICAL CODELOCK, DROP BOLT ON SLAVE GATE AND SLAM PAD
- TOOL LOCKER (MIDDLE), FITTED WITH MECHANICAL CODELOCK, DROP BOLT ON SLAVE GATE AND SLAM PAD
- BIN STORE (RIGHT), FITTED WITH DROP BOLT ON SLAVE GATE AND MAGNETS ON SLAM PAD (NO LOCK)



QUICK EXIT DIGITAL SUPERLOCK
REF. BQDG4060R

ROOF DETAIL



NOTES

TOLERANCES
• LINEAR TOLERANCES ± 0.25MM
• ANGULAR TOLERANCES ± 0.5°
ALL DIMENSIONS IN MM UNLESS STATED
THIS DRAWING IS CONFIDENTIAL AND IS THE PROPERTY OF THE BIKE STORAGE COMPANY
IT MUST NOT BE COPIED OR DISCLOSED TO A THIRD PARTY WITHOUT PERMISSION.
THE BIKE STORAGE COMPANY, MARINA STUDIOS, HARBOUR YARD, LONDON, SW10 0XD
HELLO@THEBIKESTORAGECOMPANY.CO.UK



THE BIKE STORAGE COMPANY
0800 246 1723

CREATED BY
E PINERO

CREATION DATE
31/05/2023

REVISION
03

TITLE
TBSC_Q013000_AMA_ECO_LCK_DR

PROJECT
AMAZON ECO SHELTER - BA2 7HL

CLIENT
REYMOND LANGTON DESIGN

STATUS
APPROVAL

SCALE
1:40
SHEET
1
SHEET SIZE
A3

